

Glamour Jacket

Pattern 1229



www.mistialpaca.com

Glamour Jacket

Pattern 1229

Designed by: Randi Sunde

Skill level: Intermediate

Finished measurements

Sizes	S	M	L	XL
Bust	36 in 91.5 cm	39 99	42 106.5	43.5 110.5
Length	23.25 in 59 cm	24 61	25.75 65.5	25.75 65.5
Sleeve Length to underarm	15.75 in 40 cm	16.25 41.5	16.25 41.5	16.5 42

Yarn

Misti Alpaca Ayllu Overdye Aran
(98% Baby Alpaca, 2% Polyamide,
100 g = 120 yds, shown in OW17
Steve Jobs)

10 (10, 11, 12) hanks

Needles

US 8 and 9 = 5 and 5.5 mm.

Notions

US 7 = 4.5 mm crochet hook

Stitch markers

Cable needle

7 (7, 8, 8) buttons

Gauge/Tension: 16 sts x 22 rows =
10 cm or 4 in in Basket Pattern with
larger needles

Pattern Stitches

Basket Pattern (multiple of 6 sts)

Row 1 (RS): Knit.

Row 2: *K3, p3; rep from * across.

Rows 3, 4, and 7: Knit the knit sts, and
purl the purl sts.

Row 5: Knit.

Row 6: *P3, k3; rep from * across.

Row 8: Rep Row 3.

Rep Rows 1–8 for pattern.

Cable edging (panel of 8 sts)

Row 1 (RS): Slip 4 sts to cn and hold in
front, k4, k4 from cn.

Rows 2 and 4: Purl.

Rows 3 and 7: Knit.

Row 5: K5, BO 2 sts, k1.

Row 6: P1, CO 2 sts, p5.

Row 8: Purl.

Rep Rows 1–8 for pattern.

Pattern notes

The Right Front is worked first, and
length to the neck shaping is adjusted
so a cable is crossed before binding off
the neck edge stitches. Adjust the length
of the Left Front and Back to match the
Right Front.

Glamour Jacket

Pattern 1229

To knit

Right Front

With larger needle, CO 41 (44, 47, 50) sts.

Row 1 = RS: Work Row 1 of Cable Panel over first 8 sts, pm, work Row 2 of Basket Pattern to end.

Row 2: Work Row 2 of Basket Pattern to marker, sm, work Row 2 of Cable Panel over rem sts. Cont in pattern, omitting buttonhole on Row 5 of first Cable rep (work Row 5 same as Row 3), until work meas 14.5 (15, 16.25, 16.25) in/ 37 (38, 41.5, 41.5) cm, end with a RS row.

Shape armhole

BO at beg of WS rows 3 sts once, 2 sts once, then 1 st twice = 34 (37, 40, 43) sts. Cont even until work meas approx 20 (20.75, 22.5, 22.5) in/ 51 (52.5, 57, 57) cm, end with a Row 2 of Cable Pattern.

Shape neck

BO at beg of RS rows 9 sts once, 4 sts 0 (0, 0, 1) time, 3 sts 1 (2, 2, 1) time(s), 2 sts 2 (1, 1, 1) time(s), then 1 st 2 (2, 2, 3) times = 16 (18, 21, 22) sts rem. Cont even if necessary until work meas approx 22 (22.75, 24.5, 24.5) in/ 56 (58, 62, 62) cm, end with a RS row.

Shape shoulder

BO at beg of WS rows 8 (9, 11, 11) sts once, then 8 (9, 10, 11) sts once.

Left Front

With larger needle, CO 41 (44, 47, 50) sts.

Row 1 = RS: Work Row 1 of Basket Pattern to last 5 sts, pm, (k1, p1) twice, k1.

Row 2: P1, (k1, p1) twice, sm, work Row 2 of Basket Pattern to end. Cont in pattern until work meas 14.5 (15, 16.25, 16.25) in/ 37 (38, 41.5, 41.5) cm, end with a WS row.

Shape armhole

BO at beg of RS rows 3 sts once, 2 sts once, then 1 st twice = 34 (37, 40, 43) sts. Cont even until work meas approx 20 (20.75, 22.5, 22.5) in/ 51 (52.5, 57, 57) cm or same length as Right Front to beg of neck, end with a RS row.

Shape neck

BO at beg of WS rows 9 sts once, 4 sts 0 (0, 0, 1) time, 3 sts 1 (2, 2, 1) time(s), 2 sts 2 (1, 1, 1) time(s), then 1 st 2 (2, 2, 3) times = 16 (18, 21, 22) sts rem. Cont even if necessary until work meas approx 22 (22.75, 24.5, 24.5) in/ 56 (58, 62, 62) cm or same length as Right Front to top of armhole, end with a WS row.

Shape Armhole

BO at beg of RS rows 8 (9, 11, 11) sts once, then 8 (9, 10, 11) sts once.

Glamour Jacket

Pattern 1229

Back

With larger needle, CO 72 (78, 84, 87) sts. Beg Basket Pattern and cont until work meas 14.5 (15, 16.25, 16.25) in/ 37 (38, 41.5, 41.5) cm, end with a WS row.

Shape armholes

BO 3 sts at beg of next 2 rows, 2 sts at beg of next 2 rows, then 1 st at beg of next 4 rows = 58 (64, 70, 73) sts. Cont even until work meas approx 20.75 (21.75, 23.25, 23.25) in/ 53 (55, 59, 59) cm or same length as Right Front to top of armhole, end with a WS row.

Shape neck and shoulders

Work 18 (20, 23, 24) sts, join a second ball of yarn and BO 22 (24, 24, 25) sts for neck, work to end. Work each side separately. Cont pattern and BO 2 sts at each neck edge once, and **at the same time** BO at beg of every row from armhole edge 8 (9, 11, 11) sts once, then 8 (9, 10, 11) sts once.

Sleeves make 2

With larger needle, CO 42 (42, 45, 45) sts. Knit 8 rows. Cont in Basket Pattern and **at the same time** inc 1 st each end of 12th (12th, 12th, 10th) row 6 times, then every 0 (0, 0, 8th) row 0 (0, 0, 2) times = 54 (54, 57, 61) sts. Work new sts into pattern. Cont even until work meas 15.75 (16.25, 16.25, 16.5) in/ 40 (41.5, 41.5, 42) cm, end with a WS row.

Shape cap

BO 3 sts at beg of next 2 rows, then 2 sts at beg of next 2 rows. Dec 1 st each end every RS row 9 times, BO 3 sts at beg of next 4 rows, then 2 sts at beg of next 2 rows. BO rem 10 (10, 13, 17) sts.

Finishing

Weave in ends. Block pieces to finished measurements. Sew shoulder seams.

Neck edge

With smaller needle and RS facing, pick up and knit approx 70 (70, 76, 76) sts along neck edge. Knit 6 rows. BO firmly knitwise.

Sew side and sleeve seams. Sew in sleeves. Sew buttons to Left Front opposite buttonholes, placing top button at top cable, placing rem buttons under every other cable.

Fringe

Cut strands of yarn approx 17 in/ 43 cm long. Holding 2 strands tog, fold in half. With RS facing, insert crochet hook in 2nd garter ridge of sleeve from CO edge and pull through the loop. Pull ends through the loop and tighten. Cont around same row of garter ridges, then another row of fringe in garter ridge above first row. Rep on cuff of rem sleeve.

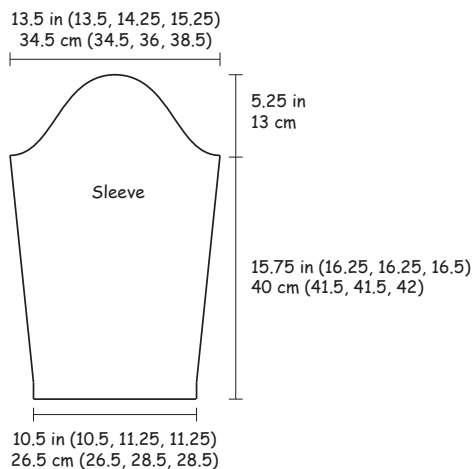
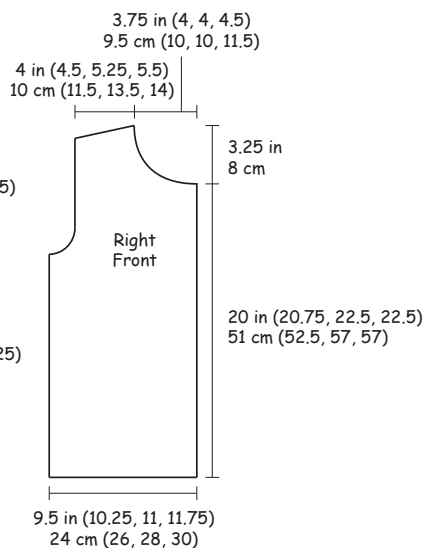
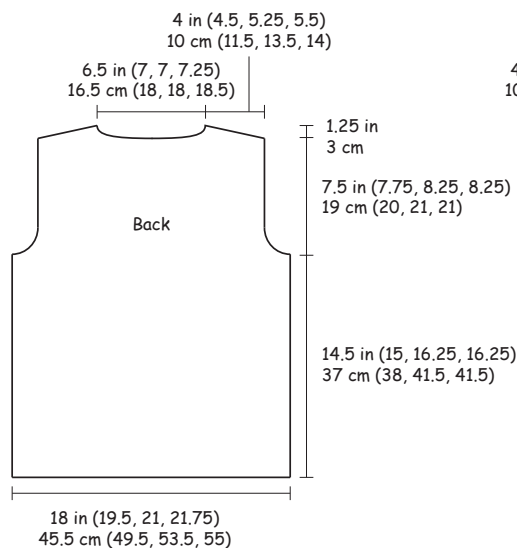
Add 3 rows of fringe at neck edge, placing one row in BO edge, then rem 2 rows in each of the next 2 garter ridges. Trim fringe to even length.

If neck feels too wide, thread tapestry needle with 2 strands of yarn. Beg at one end of neckline and weave needle through sts along neckband pickup row to other front edge.

Adjust neck to comfortable fit, and securely fasten yarn on WS at both ends of neck.

Glamour Jacket

Pattern 1229



Abbreviations

approx	=	approximately
beg	=	begin/beginning
BO	=	bind off
cn	=	cable needle
CO	=	cast on
cont	=	continue
dec	=	decrease
inc	=	increase
k	=	knit
meas	=	measures
p	=	purl
pm	=	place marker
rem	=	remain
rep	=	repeat
RS	=	right side
sm	=	slip marker
st/sts	=	stitch/stitches
tog	=	together
WS	=	wrong side